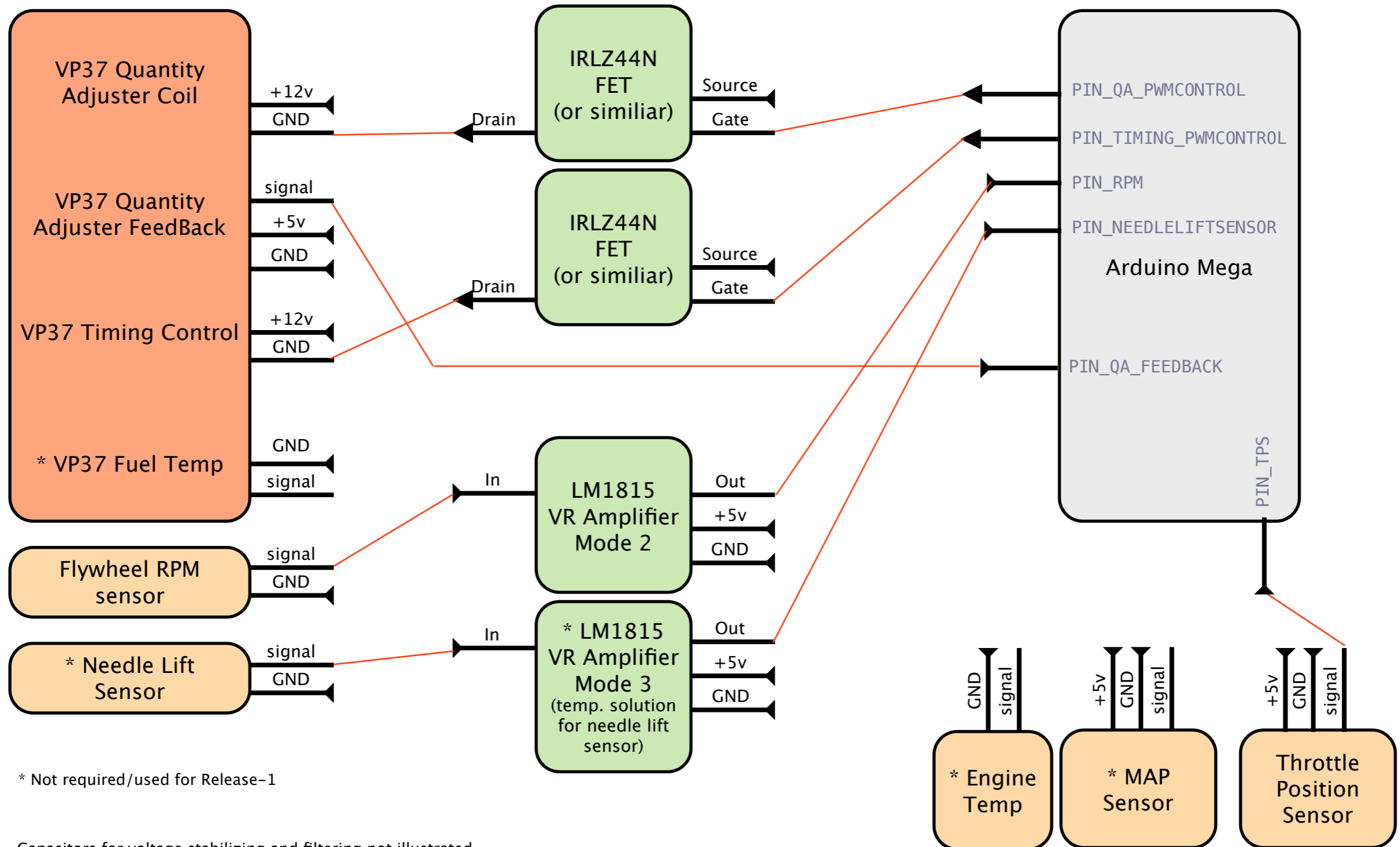


DMN-EDC Release-1 Quick Schematics

<http://dmn.kuulalaakeri.org/dmn-edc/>



* Not required/used for Release-1

Capacitors for voltage stabilizing and filtering not illustrated.
EMF kickback diodes for Quantity Adjuster and Timing control not illustrated.
Power Supply for Arduino not illustrated.